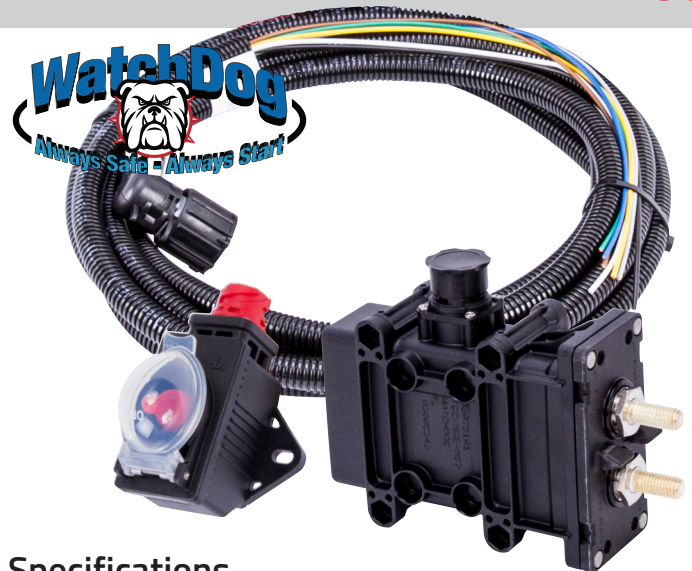


Watch Dog® Automatic Battery Disconnect Switch

FR1057

Features & Benefits

- Simplify your shutdown routine with automatic battery disconnection & programmable time delay (default 6 min)
- Bistable “Magnetic Latch” Technology - Main switch can maintain the ON & OFF positions without current consumption
- 300 Amp maximum continuous current, supports 12V & 24V systems
- IP76 & IP69K ratings mean the Watch Dog® is incredibly durable, dust tight, & sealed against high pressure water jets
- Safety is a priority with the included Emergency Toggle Switch for manual Watch Dog® control



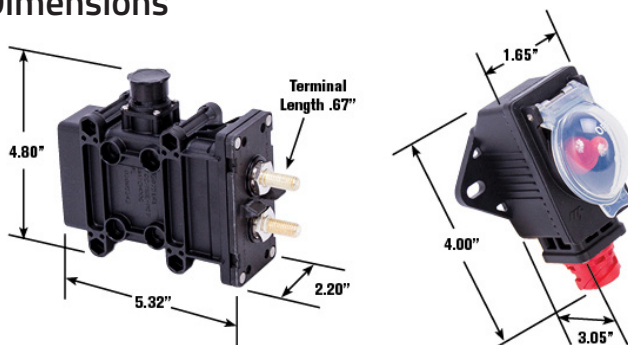
Specifications

Voltage	12V/24V
Max Continuous Current	300 Amps
Max Surge Current	2000 Amps (5 seconds)
Environmental Protection	IP67 & IP69K
Water Resistant	Yes
Corrosion Resistance	Salt Spray Test: 300 hours
Operating Temperature	-40°F to + 185°F (-40°C to +85°C)
Internal Contacts	Silver-Plated Copper w/ Silver Pads
Contact Terminals	Silver-Plated Copper
Contact Hardware	Nickel-Plated Brass
Terminal Diameter	M10
Terminal Length	0.670 in (approx. 43/64 in)
Max Torque (M10 Nuts)	11-13 ft-lbs
Programmable Time Delay	6 min (default), 3 min, 1 min, 30 sec
Battery Disconnect Mode	Positive & Negative

Ideal Protection Applications

- Construction, Mining, Agricultural, & Off-Highway Equipment
- Heavy-Duty Trucks & Class 8 Vehicles
- Automotive & Racing
- Marine
- DEF System Compatible

Dimensions



Kit Includes

- 1, Watch Dog® Main Battery Disconnect Switch
- 1, Emergency Toggle Switch
- 1, 4-way Wire Harness (8.33 feet)
- 1, 7-way Wire Harness (13.25 feet)
- 1, Momentary Push Button
- 2, Watch Dog® Terminal Covers
- 2 each, M10 Nuts, Lock, & Flat Washers