

HD Amp Switch with LED Indicator, Terminal Covers, & Lock-Out

FR1043LED

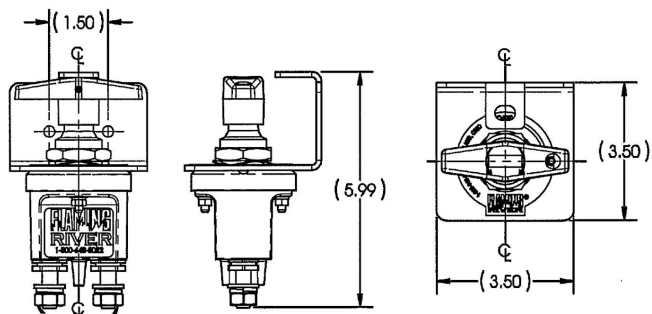
Features & Benefits

- Ideal for Class 8 vehicles
- Increased insulation for H Class Rating
- 350 Amp continuous current on 12 to 24V systems
- Larger and longer screw terminals with an M12 diameter and 1.50 inches long
- Stainless steel hardware for reinforced corrosion resistance
- LED indicator displays ON/OFF status of switch (designed for 12V systems only)
- Included terminal covers protect and isolate exposed electrical connections
- Silver-plated copper electrical contacts
- Completely sealed, water resistant design
- Lock-out handle and bracket allows the switch to be locked in the OFF position to comply with OSHA lock-out/tag-out regulation 1910.147

Applications

- Main or auxiliary load disconnection
- Vehicle maintenance lock-out
- Helps prevent battery drain
- Fire safety device
- Theft deterrent

Dimensions



Specifications

Voltage	12V/24V
Max Continuous Current	350 Amps
Max Surge Current	2500 Amps
Environmental Protection	IP65
Water Resistant	Yes
Operating Temperature	-40°F to +176°F (-40°C to +80°C)
Contact Terminals	Silver-Plated Copper
Contact Hardware	Stainless Steel
Terminal Diameter	M12
Terminal Length	1.50 in
Max Tightening Torque	11-13 ft-lbs
Warranty	3 Years
Weight	1.15 lbs

Kit Includes

- 1, HD Amp Battery Disconnect Switch
- 1, 12V LED ON/OFF Indicator
- 2, FR1014TM Terminal Covers for Grooved Terminals
- 1, Lock-Out Bracket for LED Indicator (FR1008LED)
- 2 of each, 1/4-20 x 7/8" Hex Bolts, 1/4-20 Nylock Nuts, & 1/4 Flat Washer
- 1 set, M30 Nut & Washer
- 1, ON/OFF Plate
- 2 of each, M12 Nuts, Lock, & Flat Washers